

## DISC PLOUGH



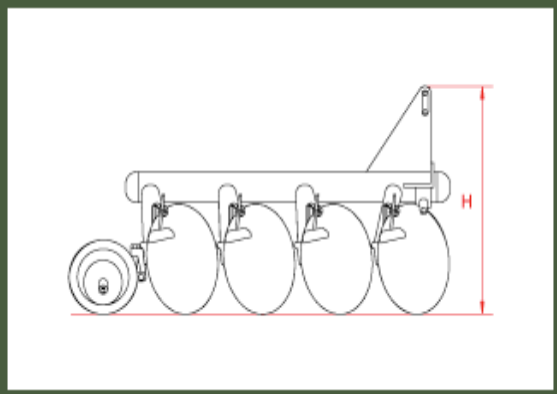
The disc plough with the Brand name ATESPAR as in conformity with the current agriculture conditions are being produced with 2-3-4-5 and 6 rows.

The disc ploughs are produced to work in every type of soil by the basic principles such as soil breaking, soil raising, soil turning and soil mixing.

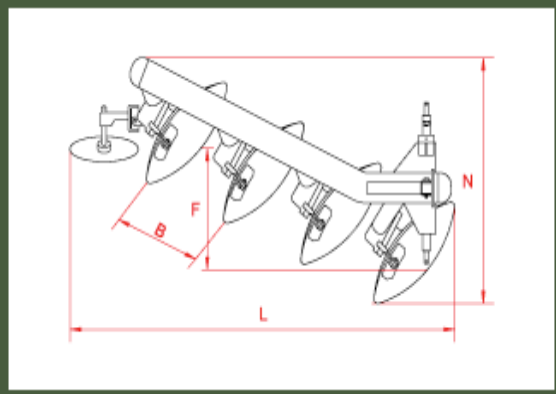
The disc ploughs are used to open the new fields and to process the stony areas. While processing, it avoids the occurrence of the big holes and the upper part of furrow's becoming muddy.

There is no possibility to be stopped up with grass, helves and farm fertilizer. In addition, they can be used easily at rocky and rooted areas. Upon this feature, the damage that may occur in disc ploughs and tractor can be prevented. The use life of plough chassis and discs are rather long particularly the discs are boron steel from Turkey, Bellota from Spain or Forge de Niaux from France, 52-55 Rm hardness, Ø660mm and are adjustable to get the maximum field from the power of tractor.

Technical Details	Model ADP 2	Model ADP 3	Model ADP 4	Model ADP 5
	2 Disc Disques	3 Disc Disques	4 Disc Disques	5 Disc Disques
Total Length (L mm)	1155	2130	2520	2910
Total Width (N mm)	1115	1265	1420	1520
Total Height (H mm)	1235	1235	1235	1235
Working Depth (max cm)	25	25	25	25
Working Width (cm)	66	99	132	165
Space of discs (cm)	53	53	53	53
Dia. of disc (mm)	660	660	660	660
Required Power (HP)	25-30	25-40	30-50	50-70
Total Weight (kg)	310	400	470	540



FRONT SIDE APPEARENCE OF THE DISC PLOUGH



UP SIDE APPEARENCE OF THE DISC PLOUGH



